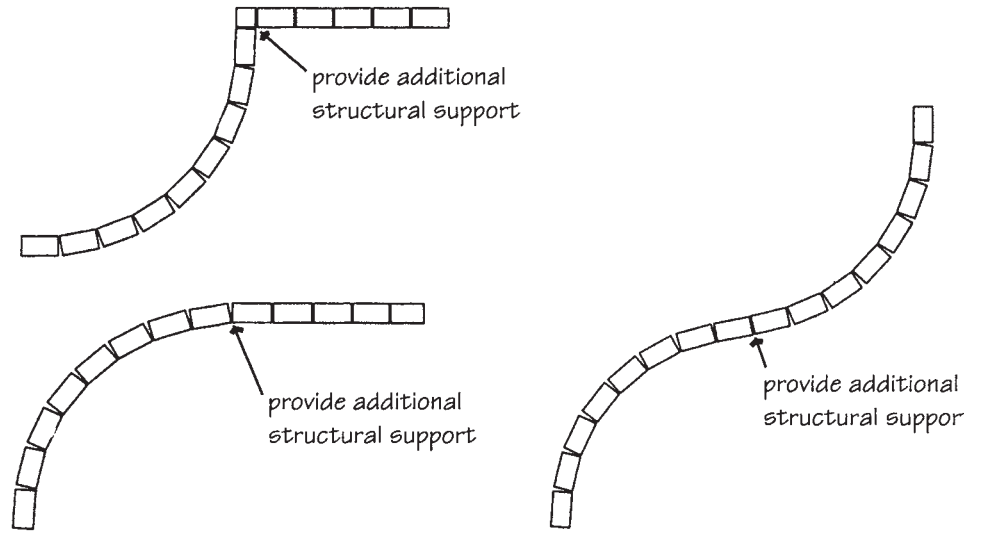


Figure 10-28 Glass block panel stiffeners and supports.

tion. Pilasters can also be used to stiffen curtain walls and increase the heights to which they can be built (see Fig. 10-32). For horizontal spans, only horizontal steel is generally required to provide adequate resistance. Walls that span vertically from floor to roof or multi-story walls that span several floors generally require vertical steel to resist bending and flexure in the vertical direction. For thin walls, additional load distribution is provided by anchorage to a backing wall of concrete, masonry, or stud construction, but there are no shelf angles supporting the masonry at each floor. Four-inch masonry veneers can even be designed as curtain walls supported only at the foundation. Engineering calculations generally must be submitted to demonstrate proper structural analysis, but the accommodation of differential movement is an equally critical element of the design.

10.4.3 Water Penetration Resistance

A single-wythe masonry wall, even when it is fully grouted and reinforced, may be susceptible to rain penetration. Good workmanship in tooling mortar



additional structural supports required at joint between curved and straight panels, and at inflection points of serpentine curves
 (From Patterson, Illustrated 2000 Building Code Handbook.)

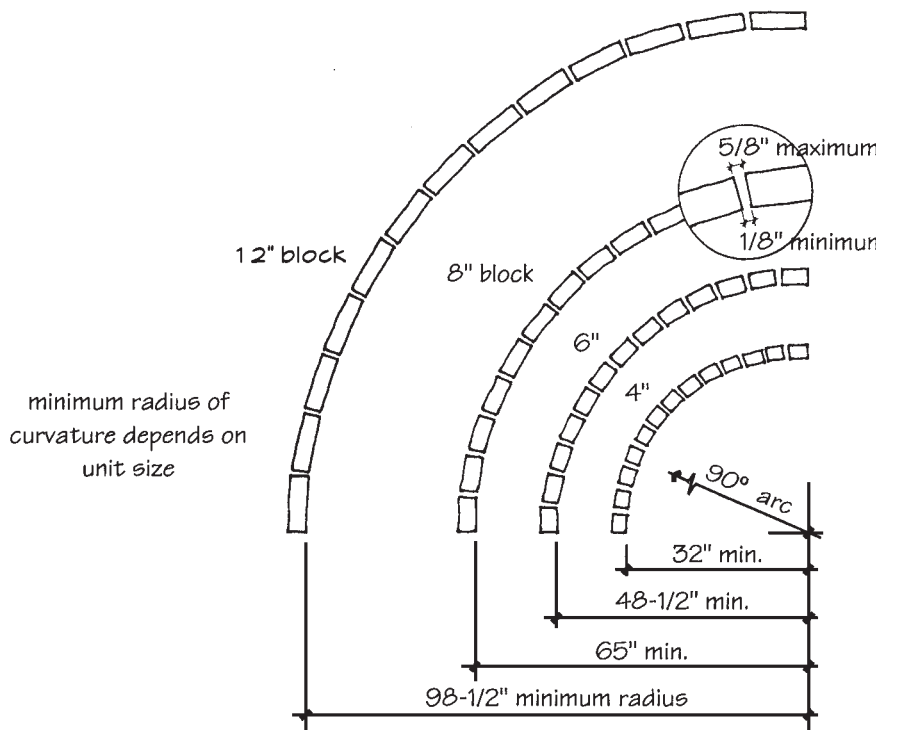


Figure 10-29 Curved glass block panels.